



## PRODUCTS DESCRIPTIONS

Current Transformer PM are made with High Quality materials comes with Class 0,5 according to products standard IEC 60044-1. CT PM deliver at the secondary a current (0-5 A) proportional to the current measured at the primary; Current Transformer PM can be used in combination with measurement devices (switchboard instrumentation, kilowatt-hour meters, power-monitoring units, etc.)

- Case/Color: ABS V.0 / Red
- Terminal Cover: PC Transparant V.0
- Class of Insulation: Class E, 120°C

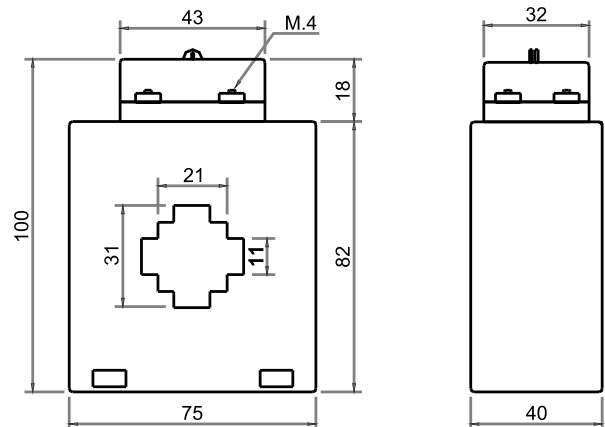
### PM - 30

### CT CLASS 0,5

### DIMENSION

Ukuran Busbar Maksimum 10 mm x 30 mm

NO	KODE	ITEM	Burden (VA)	Class
1	1PMCT310	100/5A	2.5	0.5
2	1PMCT315	150/5A	2.5	0.5
3	1PMCT320	200/5A	5	0.5
4	1PMCT325	250/5A	5	0.5
5	1PMCT350	300/5A	5	0.5



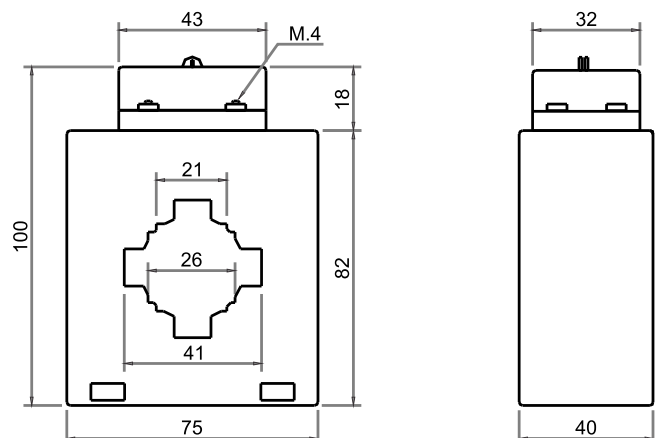
### PM - 40

### CT CLASS 0,5

### DIMENSION

Ukuran Busbar Maksimum 10 mm x 40 mm

NO	KODE	ITEM	Burden (VA)	Class
1	1PMCT410	100/5A	2.5	0.5
2	1PMCT415	150/5A	2.5	0.5
3	1PMCT420	200/5A	5	0.5
4	1PMCT425	250/5A	5	0.5
5	1PMCT430	300/5A	5	0.5
6	1PMCT440	400/5A	7.5	0.5
7	1PMCT450	500/5A	7.5	0.5
8	1PMCT460	600/5A	10	0.5
9	1PMCT480	800/5A	10	0.5



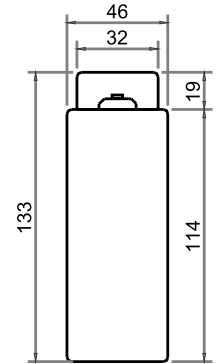
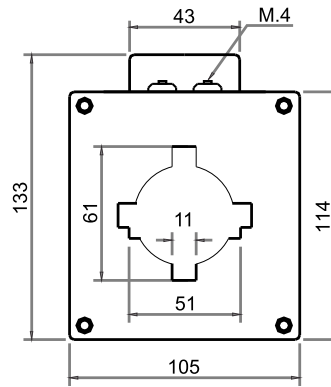
**PM - 60**

**CT CLASS 0,5**

**DIMENSION**

**Ukuran Busbar Maksimum 10 mm x 60 mm**

NO	KODE	ITEM	Burden (VA)	Class
1	1PMCT605	500/5A	10	0.5
2	1PMCT606	600/5A	10	0.5
3	1PMCT608	800/5A	10	0.5
4	1PMCT610	1000/5A	10	0.5
5	1PMCT612	1200/5A	10	0.5
6	1PMCT615	1500/5A	10	0.5
7	1PMCT616	1600/5A	10	0.5



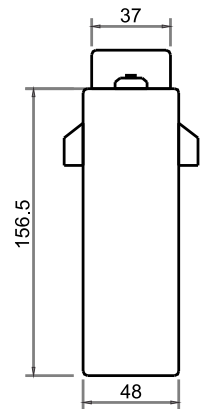
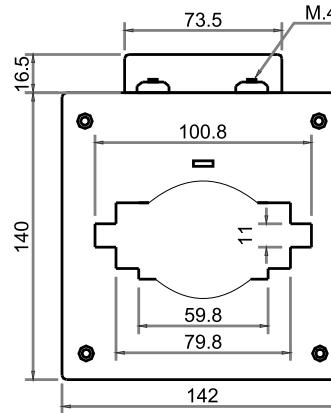
**PM - 100**

**CT CLASS 0,5**

**DIMENSION**

**Ukuran Busbar Maksimum 30 mm x 80 mm**

NO	KODE	ITEM	Burden (VA)	Class
1	1PMCT104	400/5A	10	0.5
2	1PMCT105	500/5A	10	0.5
3	1PMCT106	600/5A	10	0.5
4	1PMCT108	800/5A	10	0.5
5	1PMCT110	1000/5A	10	0.5
6	1PMCT112	1200/5A	10	0.5
7	1PMCT115	1500/5A	10	0.5
8	1PMCT116	1600/5A	10	0.5
9	1PMCT112	2000/5A	10	0.5
10	1PMCT115	2500/5A	10	0.5
11	1PMCT130	3000/5A	10	0.5



**PT Puma Elektrik Niaga**

**Head Office**

Jl. Industri Keroncong No.95

Jati Uwung - Tangerang

Tel.+62 21 5930 8891

Fax. +62 21 590 1458

